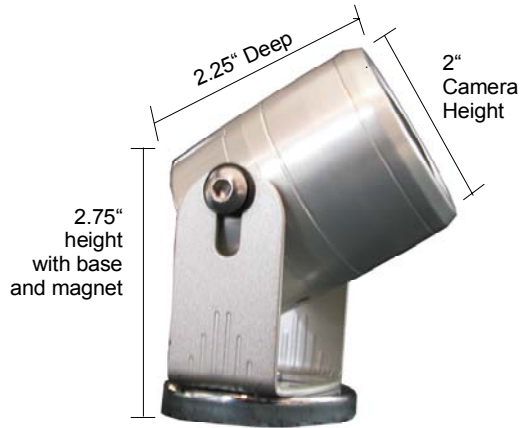


Technical Specifications	
Part #: DMEZI-C1	
Operating Temp	-10°F~140°F (-23°C~60°C)
Weatherproofing Criteria	IP67
Dimensions	Height 2" Depth 2.25"
Scanning System	Interlaced 2:1
Body Lens	Photo chromic Lens
Minimum Illumination (before LED auto on)	0 LUX@F2.0
Standard Camera Lenses	Board Lens 3.6mm/92° width
Custom Camera Lenses	6 lens range: 3.6 mm-16.mm
Construction	Aluminum Case
Horizontal Resolution	380 Lines
Auto Gain Control	High/Low switch able
Mounting Magnet	25# pull, chrome plated
LED	Auto on IR LED, below 0 LUX
Video Output	1 Vp/p-75 ohms
Weight	13.2oz (374.2g)
Warranty	3 years

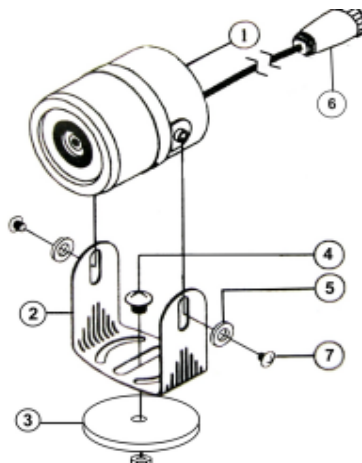


- Waterproof: Suitable for Indoor and Outdoor use.
- Built-in, high quality CCD Camera and high performance Infrared Illuminator modules.
- Our exclusive Photochromic camera body lens darkens in bright conditions and becomes completely transparent under low light conditions. This exclusive technology also is completely transparent to UV light, so you can go immediately from bright sunlight to zero light in seconds.
- Optional custom camera lenses:

<b>3.6mm (92°)</b>	<b>Standard Lens</b>
4.3mm (78°)	Moderate Wide
6mm (53°)	Close to Eye View
8mm (40°)	Slight Zoom
12mm (22°)	Moderate Zoom
16mm (15°)	Super Zoom

- Infrared Illuminator has effective range of up to 25 feet and wide angle at 92°, assists cameras in providing a clear image when exposed to completely dark environment.
- Infrared Illuminator has built-in 12 pieces 850nm wavelength infrared Light-Emitting Diode and provides over 6000 hours life.
- Built-in CDS light-source sensor can automatically turn on/off the illuminator by detecting the light source of environment.

**Optional Mirror view camera available**  
 (Mirror view will display as left to right reverse image when monitor is in standard view mode)



1. Camera Body
2. Mounting Bracket
3. Magnetic Base
4. Retaining Screw
5. Fiber Washer
6. Power/Video Input
7. Bracket Screw